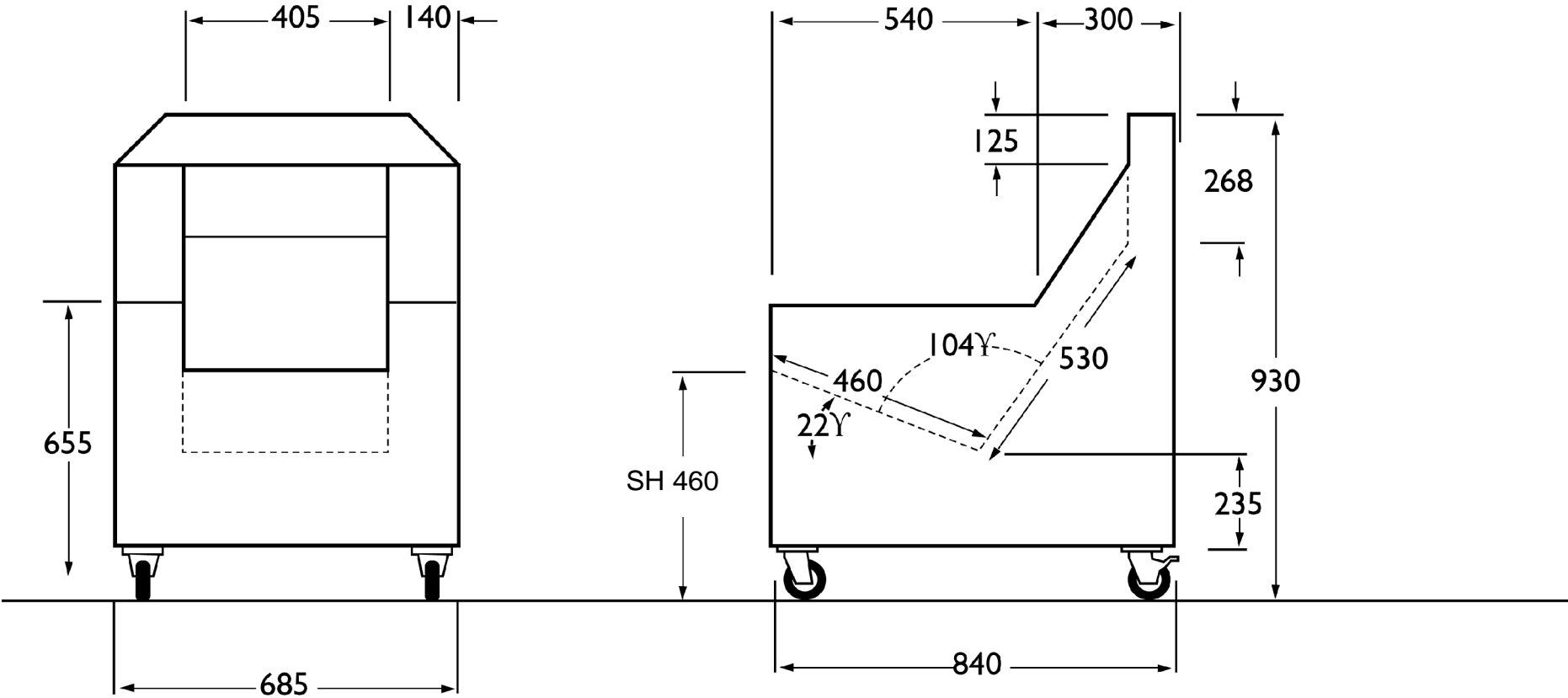




Stirling Specification

Dimensions in mm



05 July 2005